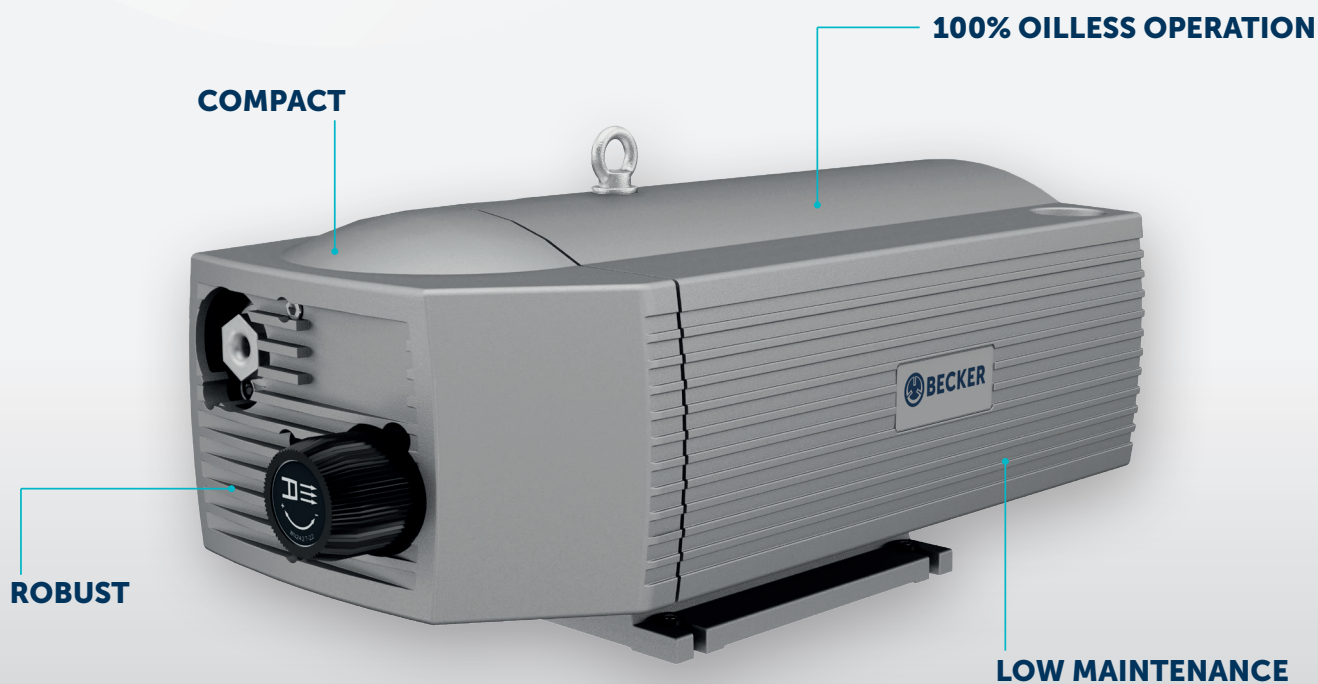


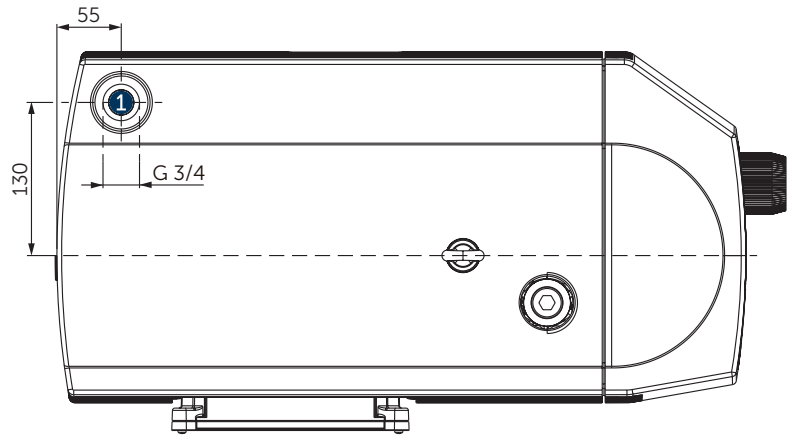
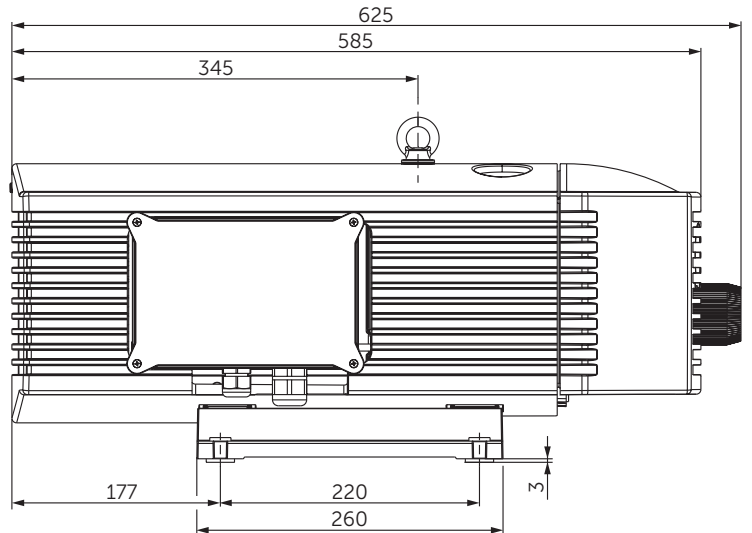
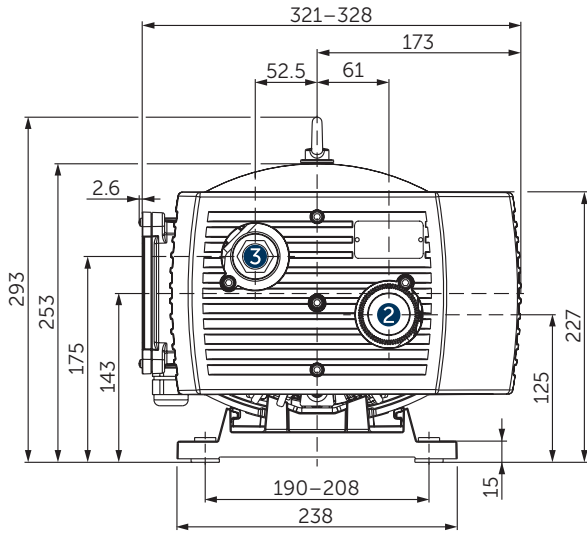
DATA SHEET

# DT 4.40 K ROTARY VANE COMPRESSORS

oil-free  
air-cooled

**MAKE IT BECKER.**





- 1 Pressure connection (G<sup>3/4</sup>)
- 2 Pressure regulating valve
- 3 Air nozzle

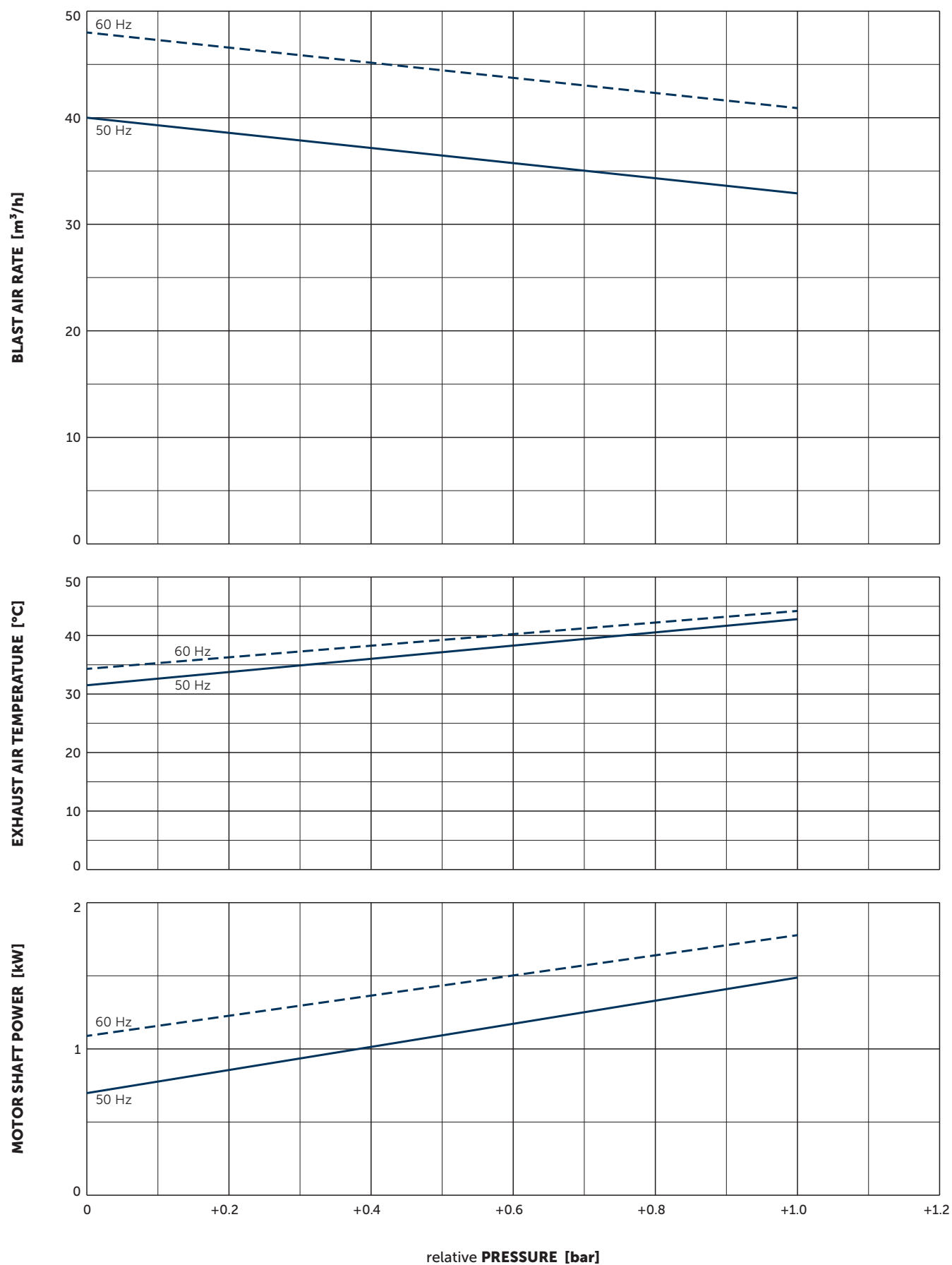
- Including integrated suction air filter and compressed air cooler
- The illustration of the terminal box may vary.
- Dimensions in mm

Blast air rate		Pressure relative		Installed motor power		Emission sound pressure level <sup>1)</sup>		Weight with motor <sup>2)</sup>
m <sup>3</sup> /h		bar		kW		dB(A)		kg
50 Hz	60 Hz	50 Hz	60 Hz	50 Hz	60 Hz	50 Hz	60 Hz	
40	48	+1.0	+1.0	1.7-1.85	1.95-2.2	67	70	≈46-49

<sup>1)</sup> According to DIN EN ISO 3744 (KpA = 3 dB(A)), 1 m distance, at medium load, both connection sides piped

<sup>2)</sup> Depending on the motor

▪ The motor specifications can be found in the separate data sheet. – Download see back cover. The overall device length is not affected.



Reference data (atmosphere): 1000 mbar, 20°C  
Tolerance: ±5%

## **+** VARIANTS AND ACCESSORIES

- **DT 4.40/0-80** without compressed air cooler, maximum +0.5 bar, lower motor power and overall dimensions<sup>1)</sup>
- With external suction filter<sup>1)</sup>
- Sound proof box SH 19<sup>1)</sup>



Example for an external suction filter



Sound proof box SH 19

<sup>1)</sup> See separate data sheet

- Possible combinations on request

**MAKE IT BECKER.**

HOMEPAGE  
DT SERIES



DOWNLOAD  
MOTOR SPECS.



ONLINE SHOP

