

DATA SHEET

**VX 4.40**

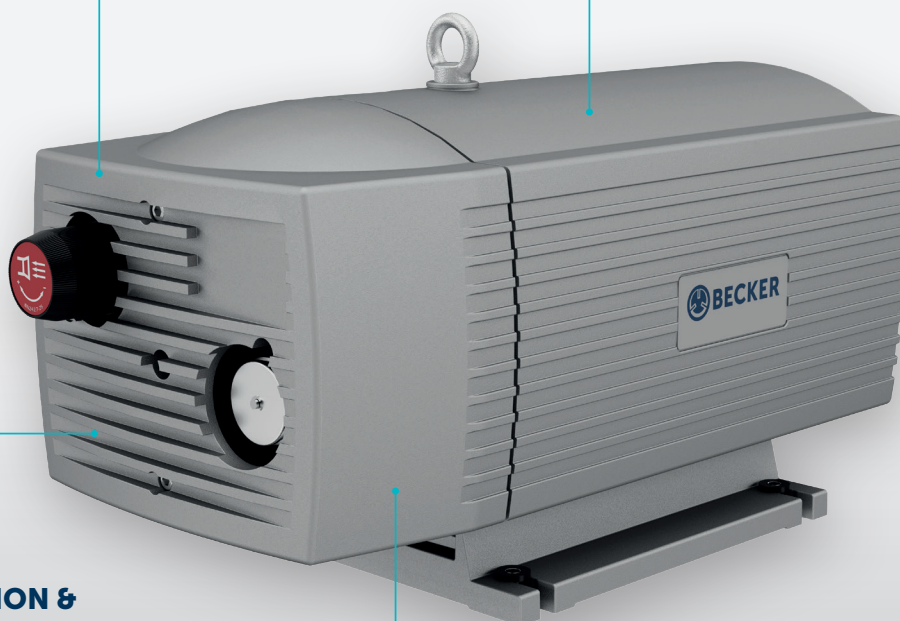
# ROTARY VANE VACUUM PUMPS

oil-free  
air-cooled

**MAKE IT BECKER.**

**COMPACT  
& ROBUST**

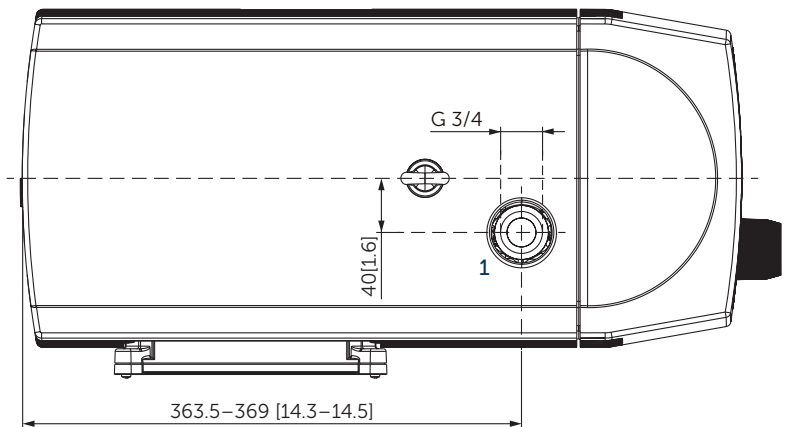
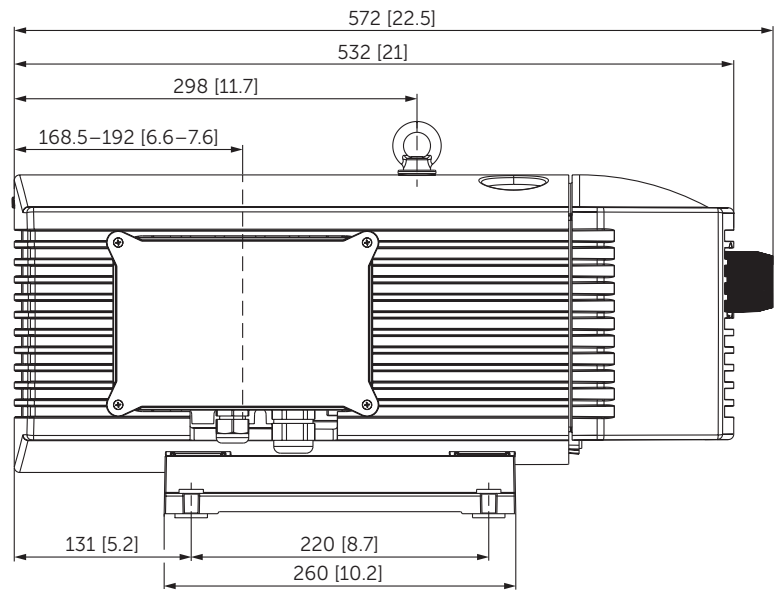
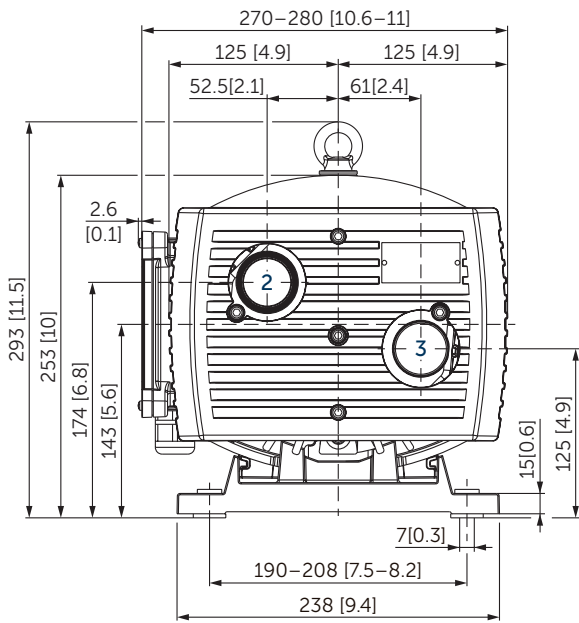
**100% OILLESS OPERATION**



**LOW OPERATION &  
MAINTENANCE COSTS**

**VANE LIFETIME OF  
20,000 OPERATING HOUR  
or 3 years**

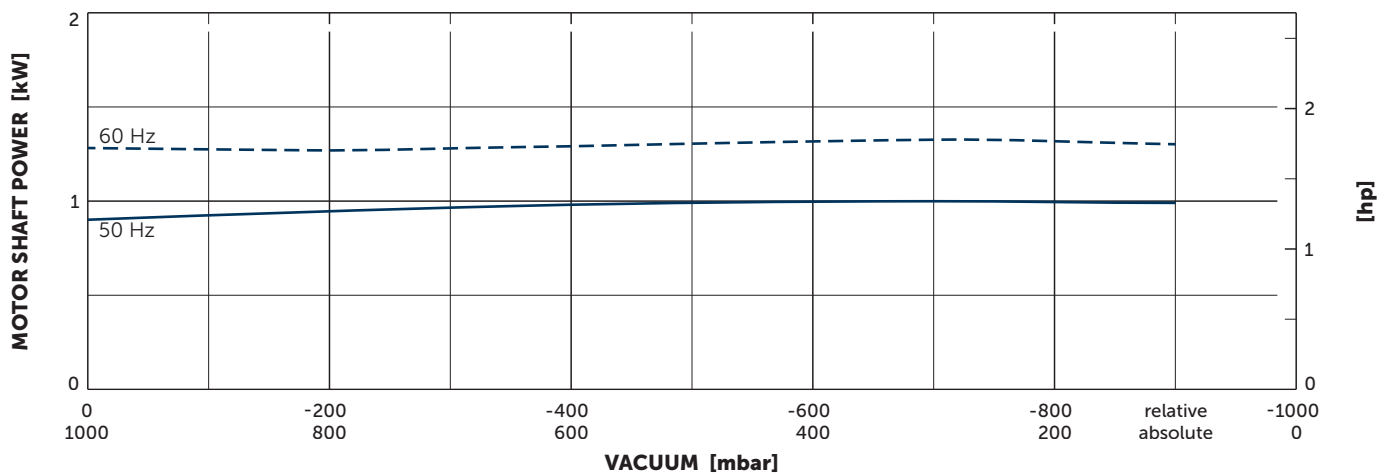
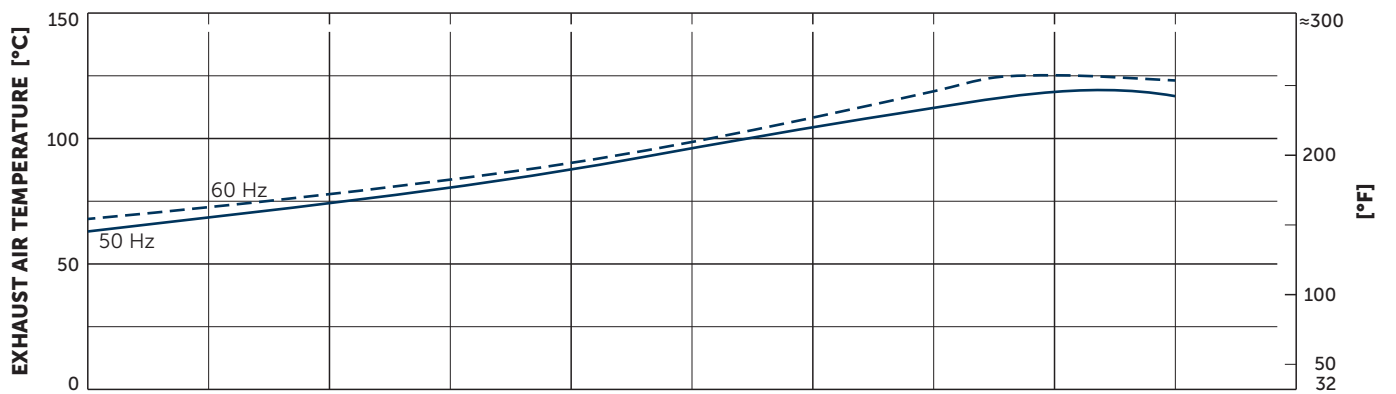
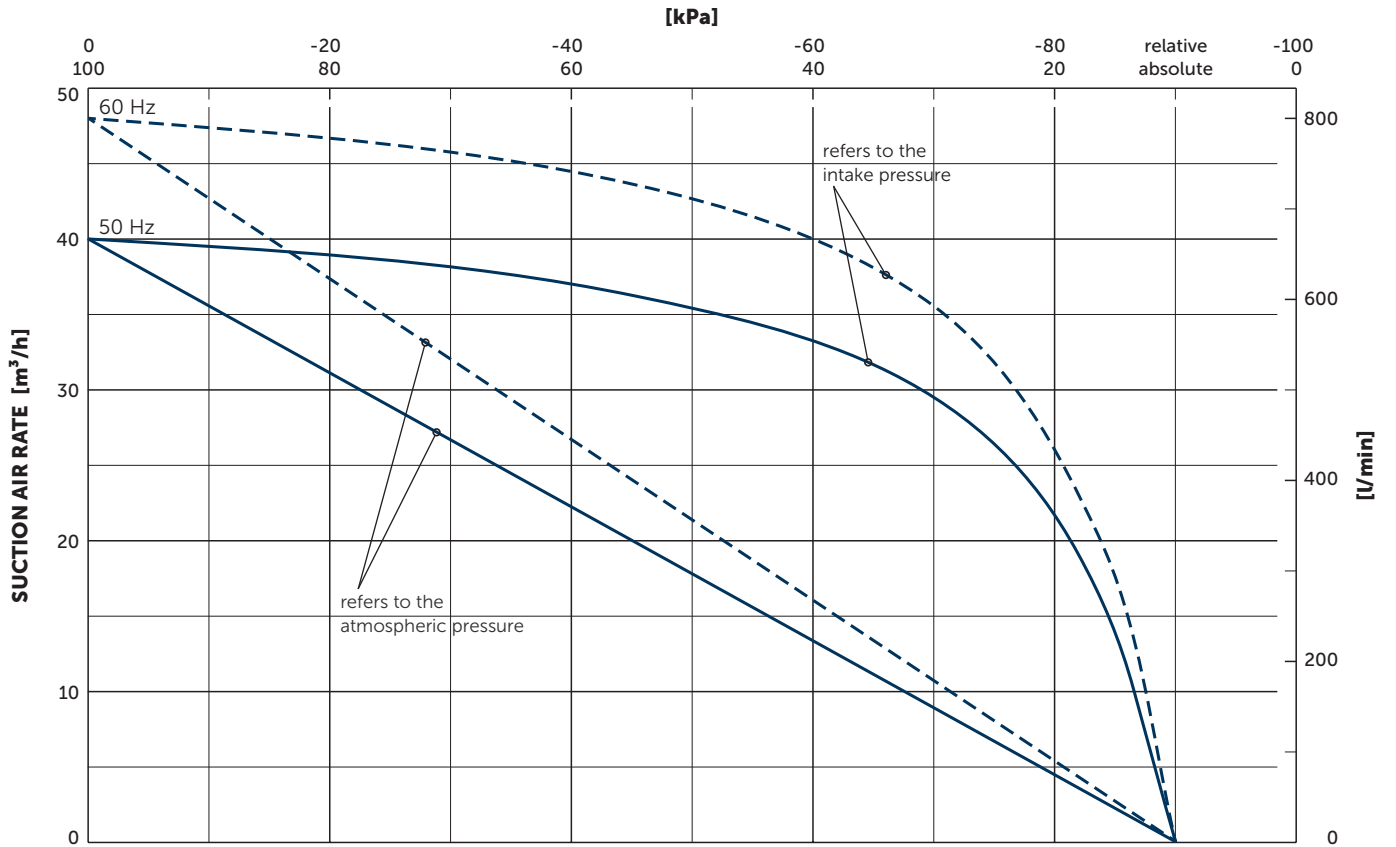




- 1 Vacuum connection (G<sup>3</sup>/<sub>4</sub>)
- 2 Vacuum regulating valve
- 3 Blow-off valve
- Including integrated suction air filter
- The illustration of the terminal box may vary.
- Dimensions in mm [inch]

| Suction air rate  |       | Vacuum absolute |       | Installed motor power |       | Emission sound pressure level <sup>1)</sup> |       | Weight with motor |
|-------------------|-------|-----------------|-------|-----------------------|-------|---|-------|-------------------|
| m <sup>3</sup> /h |       | mbar            |       | kW                    |       | dB(A)                                       |       | kg                |
| 50 Hz             | 60 Hz | 50 Hz           | 60 Hz | 50 Hz                 | 60 Hz | 50 Hz                                       | 60 Hz |                   |
| 40                | 48    | 100             | 100   | 1.25-1.3              | 1.5   | 67  | 72    | ≈38-41            |

<sup>1)</sup> According to DIN EN ISO 3744 (KpA = 3 dB(A)), 1 m [39.4 inch] distance, at medium load, both connection sides piped  
 ▪ The motor specifications can be found in the separate data sheet. – Download see back cover. The overall device length is not affected.



Reference data (atmosphere): 1000 mbar (100 kPa), 20°C (68°F)  
 Tolerance: ±5%

## **+** VARIANTS AND ACCESSORIES

### **OTHER VARIANTS AND ACCESSORIES**

- With external suction filter<sup>1)</sup>
- Sound proof box SH 19<sup>1)</sup>



Example for an external suction filter



Sound proof box SH 19

<sup>1)</sup> See separate data sheet

- Possible combinations on request



**MAKE IT BECKER.**

HOMEPAGE  
VX SERIES



DOWNLOAD  
MOTOR SPECS.



ONLINE SHOP  
VX 4.40

