

DATA SHEET

VX 4.25

ROTARY VANE VACUUM PUMPS

oil-free
air-cooled

MAKE IT BECKER.

**COMPACT
& ROBUST**

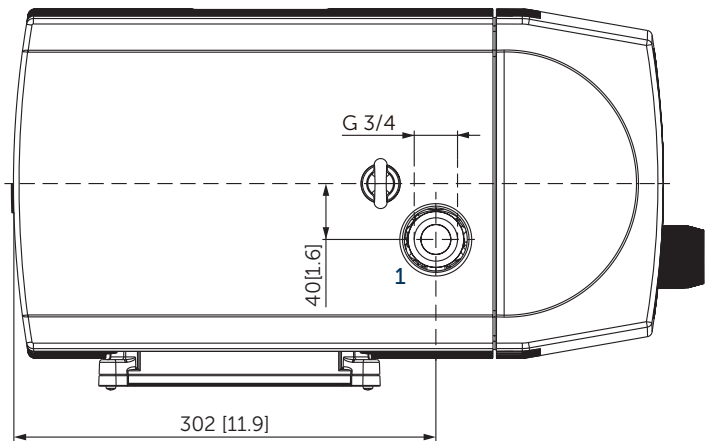
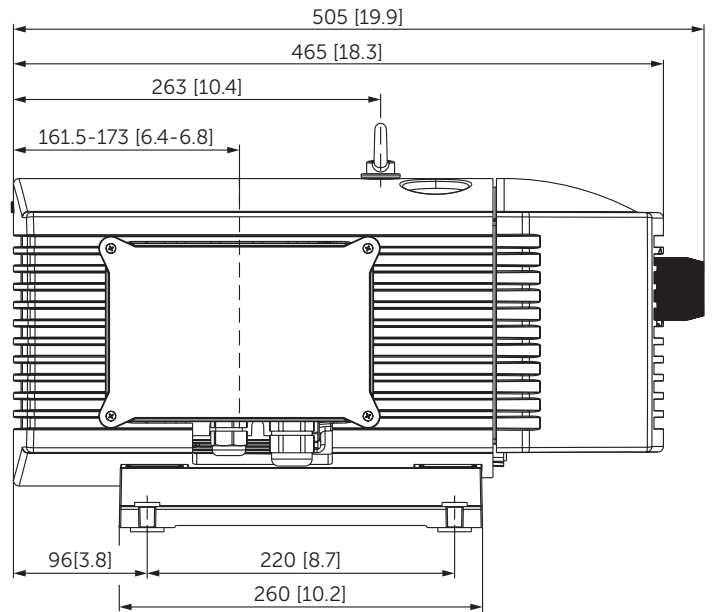
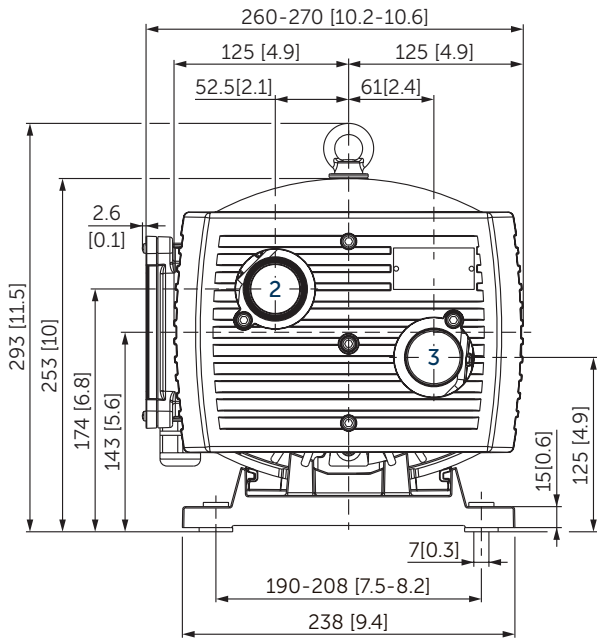
100% OILLESS OPERATION



**LOW OPERATION &
MAINTENANCE COSTS**

**VANE LIFETIME OF
20,000 OPERATING HOUR
or 3 years**

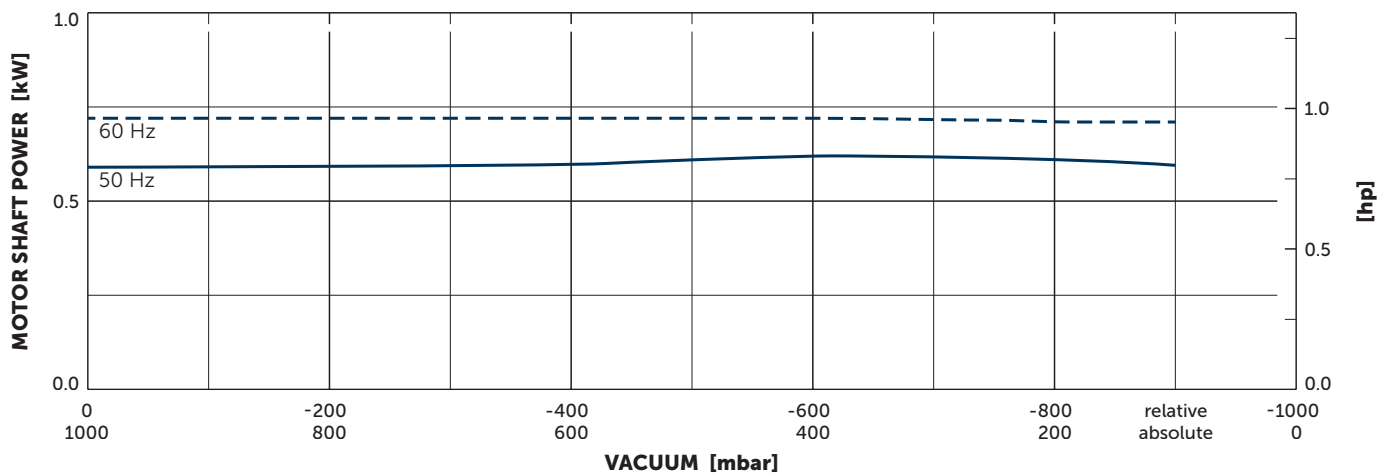
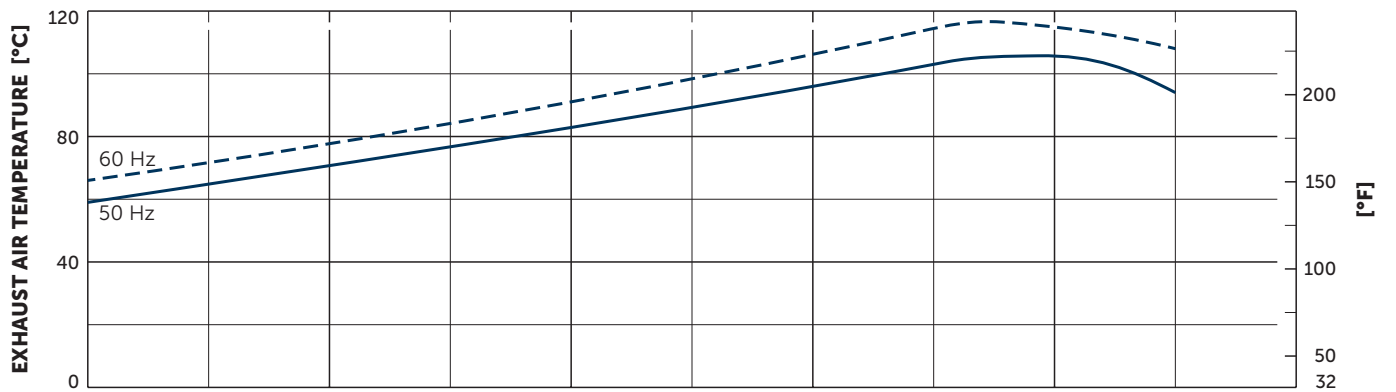
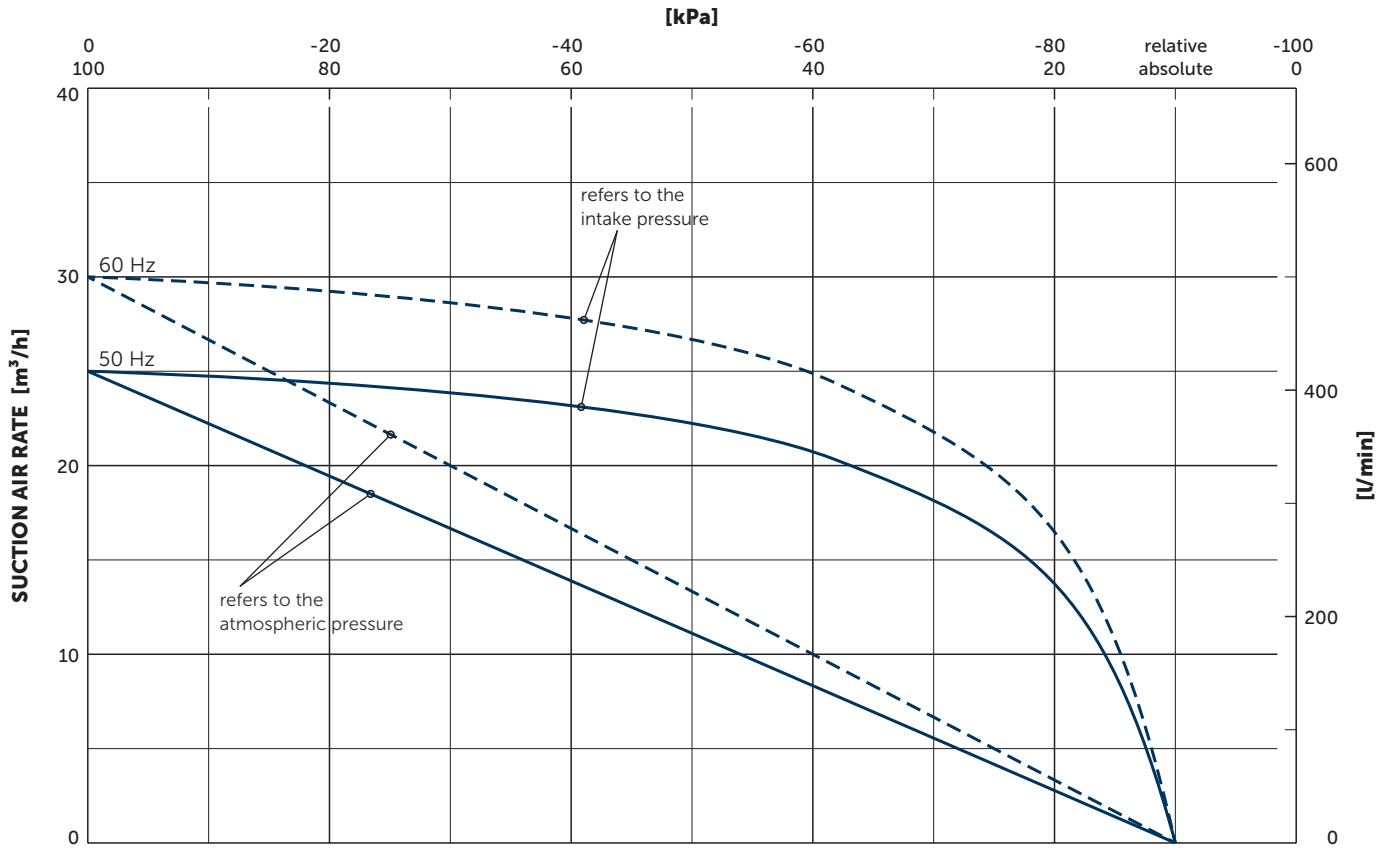




- 1 Vacuum connection (G³/₄)
- 2 Vacuum regulating valve
- 3 Blow-off valve
- Including integrated suction air filter
- The illustration of the terminal box may vary.
- Dimensions in mm [inch]

Suction air rate		Vacuum absolute		Installed motor power		Emission sound pressure level ¹⁾		Weight with motor
m ³ /h		mbar		kW		dB(A)		kg
50 Hz	60 Hz	50 Hz	60 Hz	50 Hz	60 Hz	50 Hz	60 Hz	
25	30	100	100	0.75-0.8	0.9-1.0	62	67	≈26-29

¹⁾ According to DIN EN ISO 3744 (KpA = 3 dB(A)), 1 m [39.4 inch] distance, at medium load, both connection sides piped
 ▪ The motor specifications can be found in the separate data sheet. – Download see back cover. The overall device length is not affected.



Reference data (atmosphere): 1000 mbar (100 kPa), 20°C (68°F)
 Tolerance: ±5%

+ VARIANTS AND ACCESSORIES

- External suction filter, e.g. series FV¹⁾
- Sound proof box SH 19¹⁾



Example for an external suction filter



Sound proof box SH 19

¹⁾ See separate data sheet

- Possible combinations on request

MAKE IT BECKER.

HOMEPAGE
VX SERIES



DOWNLOAD
MOTOR SPECS.



ONLINE SHOP
VX 4.25

