

DATA SHEET

VT 4.8

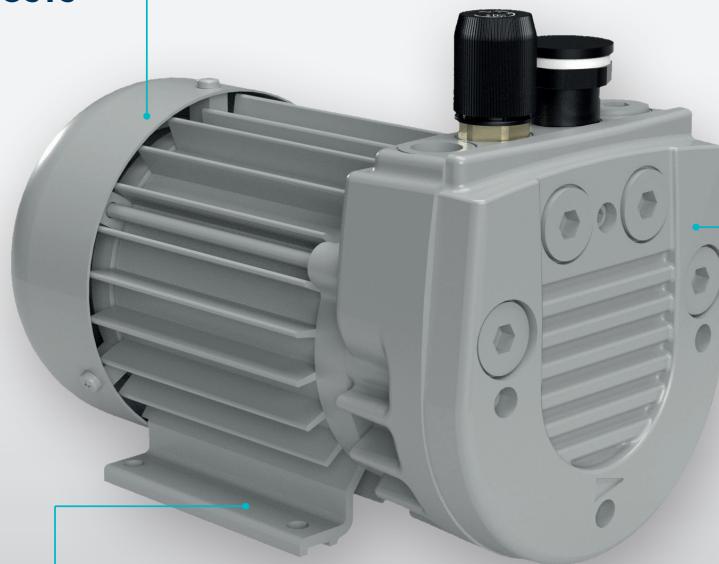
ROTARY VANE VACUUM PUMPS

oil-free

air-cooled

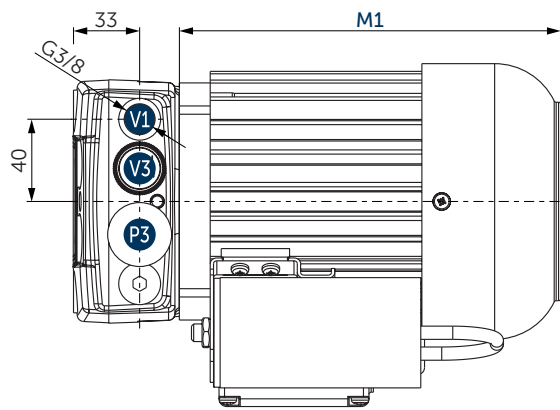
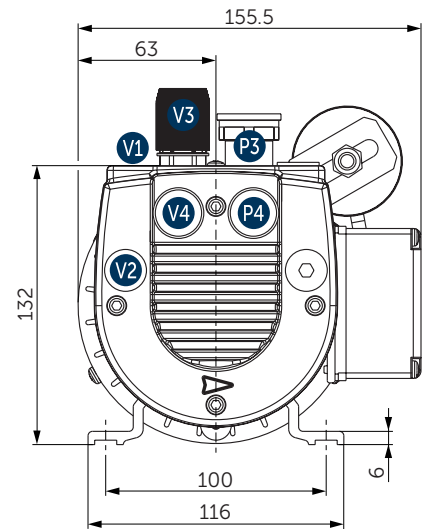
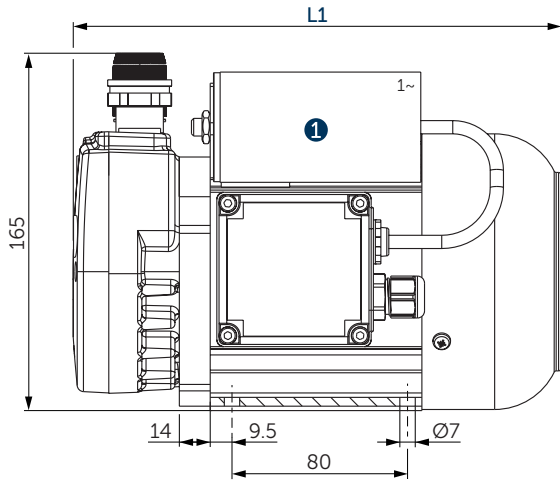
MAKE IT BECKER.

**LOW OPERATION &
MAINTENANCE COSTS**



**COMPACT
& ROBUST**

100% OILLESS OPERATION



- V1 (V2) Vacuum connection (G $\frac{3}{8}$)
- V3 (V4) Vacuum regulating valve
- P3 (P4) Blow-off valve
- (XX) Alternative

- 1 The capacitor size and position may vary with a change of the voltage/frequency.
- L Overall device length L1 with motor.
- L1 and M1 are variable.
 - Including integrated suction air filter
 - The motor illustration may vary
 - Dimensions in mm

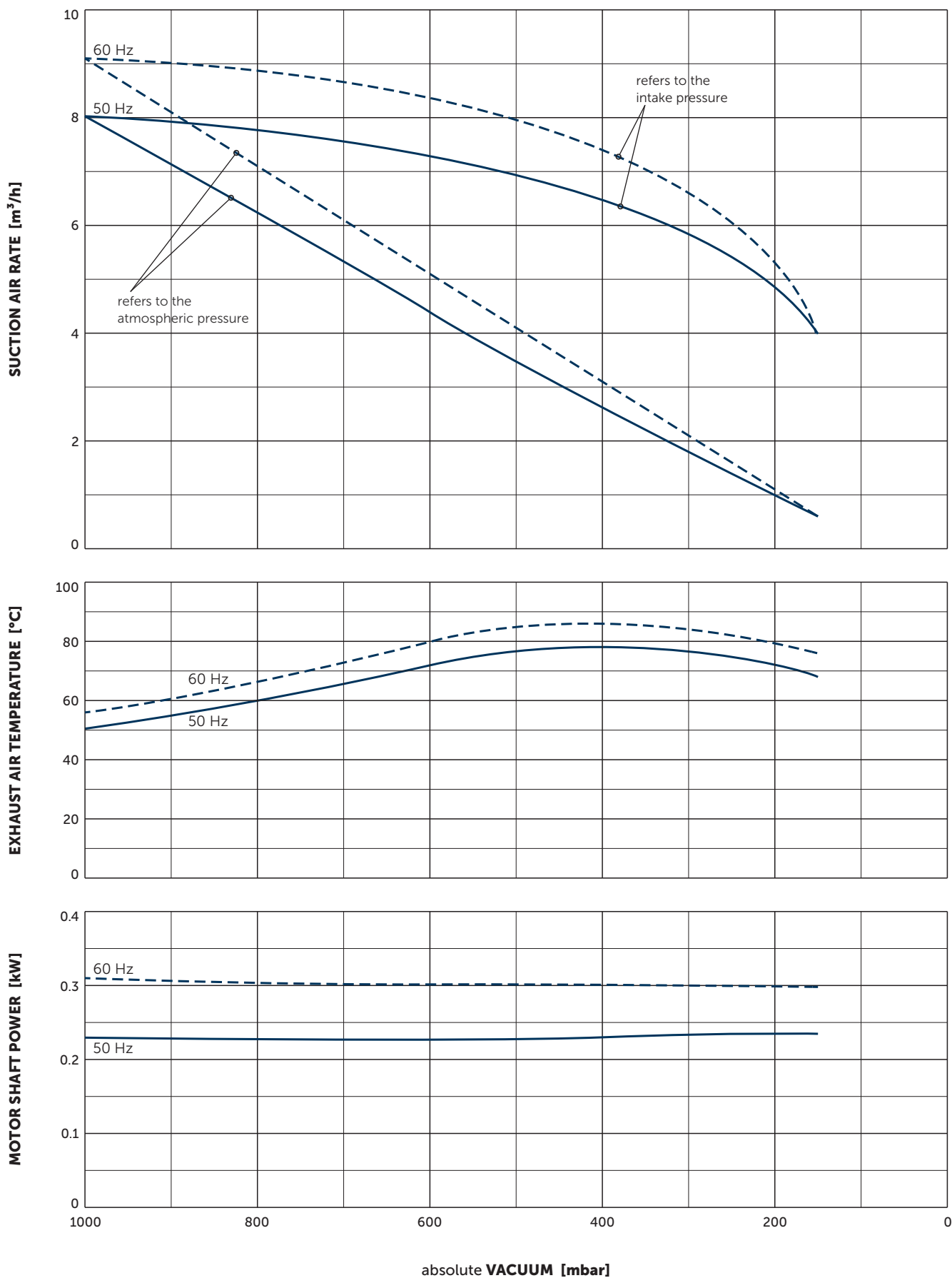
Suction air rate		Vacuum absolute		Emission sound pressure level ¹⁾		Weight incl. motor ²⁾
m ³ /h		mbar		dB(A)		kg
50 Hz	60 Hz	50 Hz	60 Hz	50 Hz	60 Hz	
8.0	9.1	150	150	58	61	≈9.5

Motors														
#	~	50 Hz				60 Hz				Version	M1 mm	L1 mm		
		kW	V	rpm	A	kW	V	rpm	A					
01	3~	0.37	Δ230/Y400	IE2	2865	2.13/1.23	0.44	Δ265/Y460	IE3	3455	2.01/1.16	CE IP54 • ISO F • bimetal	193	250.5
								Δ230/Y400	IE3	3400	1.87/1.08			
								Δ208/Y360	IE3	3330	1.94/1.12			
02	3~	0.30	Δ230/Y400	IE2	2835	1.59/0.92	0.36	Δ265/Y460	IE2	3420	1.54/0.89	CE IP54 • ISO F • bimetal	173	230.5
03	1~	0.35	230 ±10%	IE2	2840	2.13	0.42	230 +10%/-8%	IE3	3355	2.54	CE IP54 • ISO F • bimetal	193	250.5

¹⁾ According to DIN EN ISO 3744 (KpA = 3 dB(A)), 1 m distance, at medium load, both connection sides piped

²⁾ Depending on the motor

- Reference data (atmosphere): 1000 mbar, 20°C; Tolerance: ±10%
- Current consumption and rotation speed may vary. Tolerance in each case -1.5/+2%

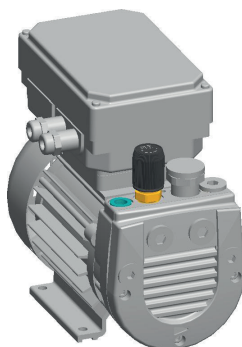


Reference data (atmosphere): 1000 mbar, 20°C
 Tolerance: ±10%

+ VARIANTS AND ACCESSORIES

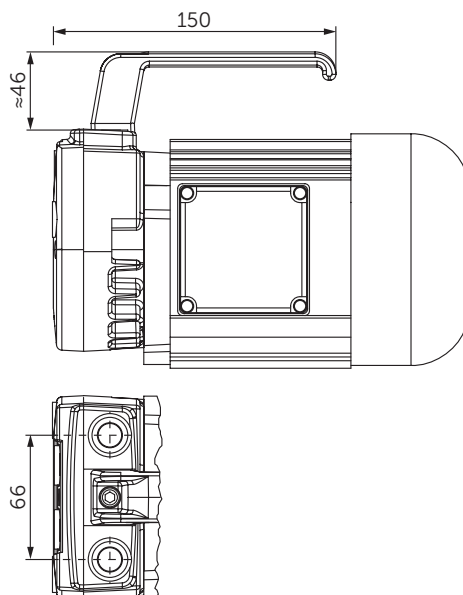
VT 4.8 DC¹⁾

- with 24V DC motor



VT 4.8/0-28

- with handle



¹⁾ See separate data sheet

▪ Dimensions in mm – For other dimensions, see the figure on page 2.

MAKE IT BECKER.

HOMEPAGE
VT SERIES



ONLINE SHOP

