

DATA SHEET

# O 5.21 (XL)

## ROTARY VANE VACUUM PUMPS

oil-lubricated  
air-cooled

**MAKE IT BECKER.**

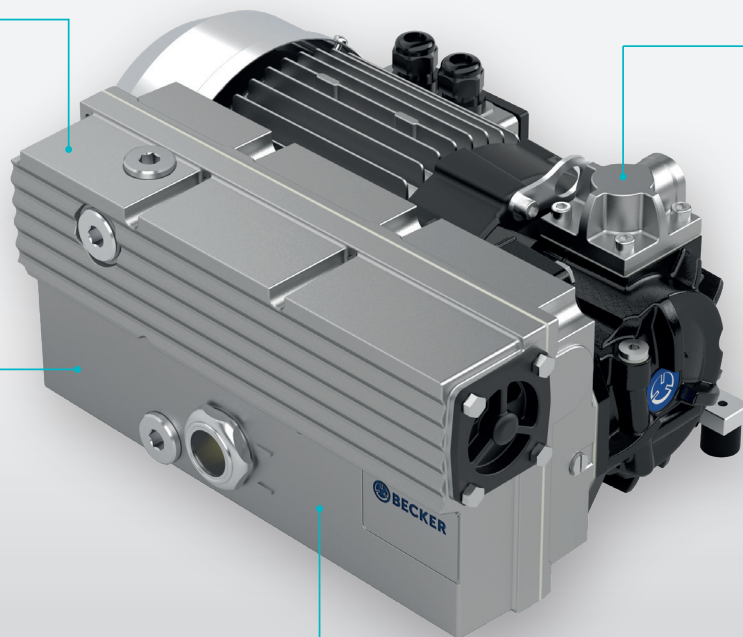
**COMPACT**

**ROBUST &  
DURABLE**

**2 OIL TANK SIZES**

**MODULAR**

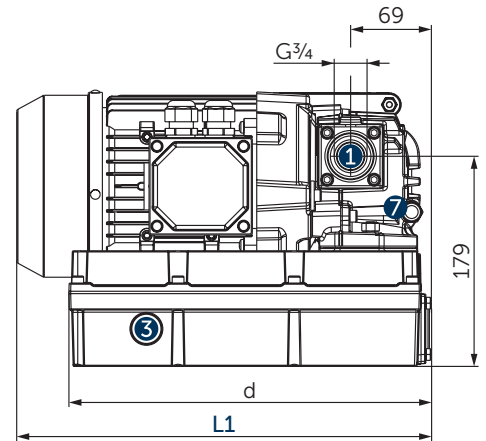
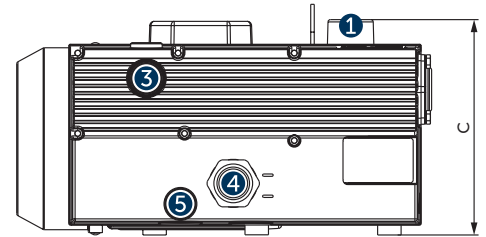
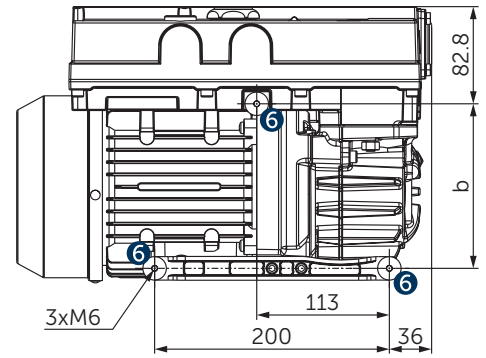
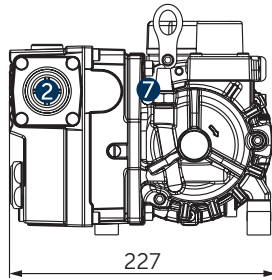
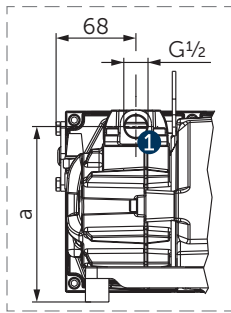
freely configurable service openings



a	b	c
143.5–149.5	129.5–140.5	≤183.5

▪ depending on motor version

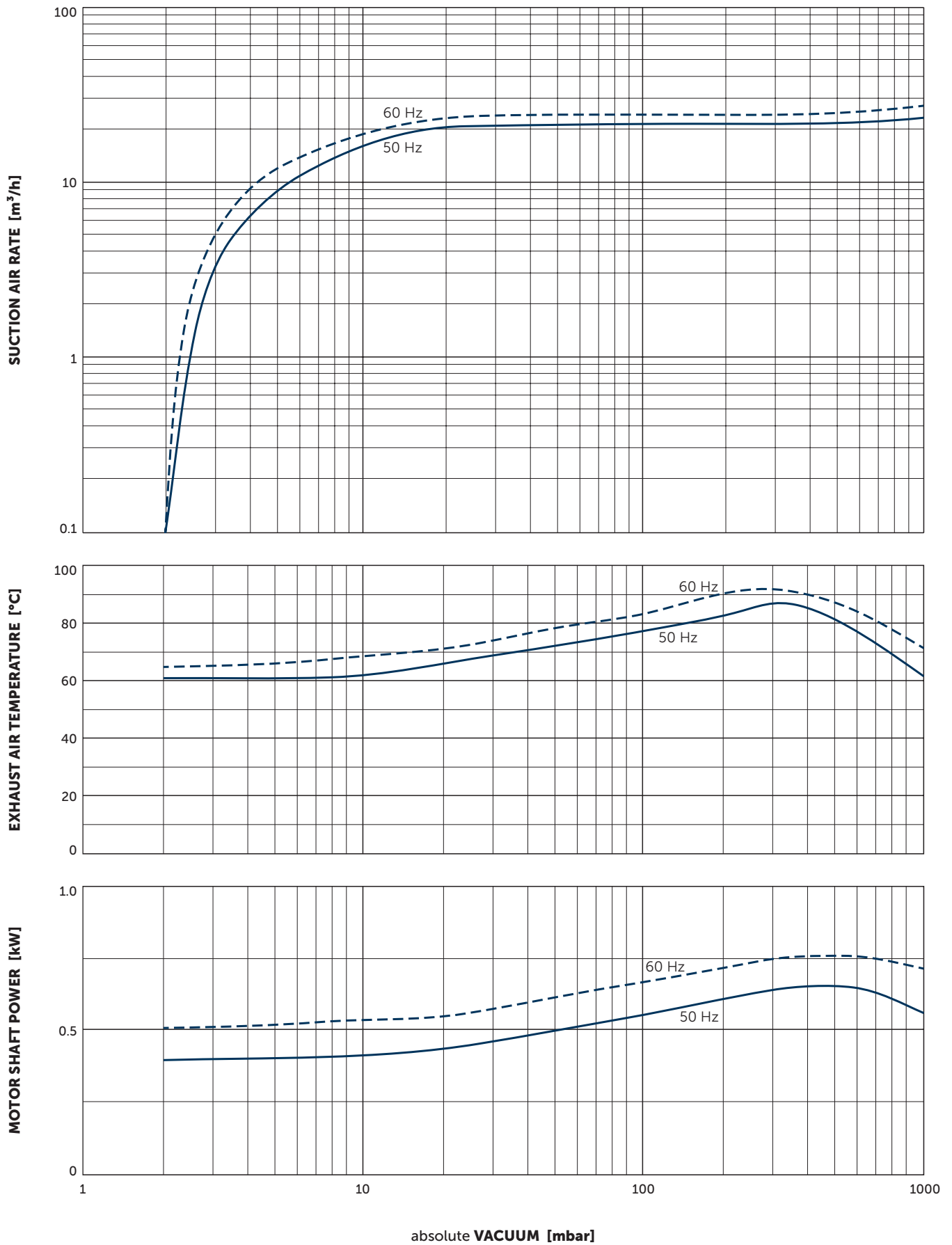
Oil tank	d
0.5 l	309
0.3 l	181



- 1 Vacuum connection horizontal (G<sup>1/2</sup>) or vertical (G<sup>3/4</sup>)
  - 2 Exhaust air side with or without threaded connection (G<sup>3/4</sup>)
  - 3 Oil filler cap
  - 4 Oil sight glas
  - 5 Screw plug for oil drain
  - 6 Rubber buffer position
  - 7 Optional gas ballast valve
  - L Overall device length L<sub>1</sub> with motor is variable, see separate motor specification sheet
- Non-return valve and oil separator are integrated
- The motor illustration may vary
- Dimensions in mm

	Nominal capacity		Vacuum absolute		Installed motor power		Emission sound pressure level <sup>1)</sup>		Weight incl. motor	Oil (Oil tank)
	m <sup>3</sup> /h		mbar		kW		dB(A)			
	50 Hz	60 Hz	50 Hz	60 Hz	50 Hz	60 Hz	50 Hz	60 Hz	kg	l
<b>O 5.21 XL</b>	23.5	27.0	2	2	0.75	0.9	64	69	≈21.5	0.5
<b>O 5.21</b>	23.5	27.0	2	2	0.75	0.9	64	69	≈20.0	0.3

<sup>1)</sup> According to DIN EN ISO 11203, accuracy class of measurement: class 2, extended measurement uncertainty: 3 dB  
1 m distance, at medium load, vacuum connection piped, exhaust side open



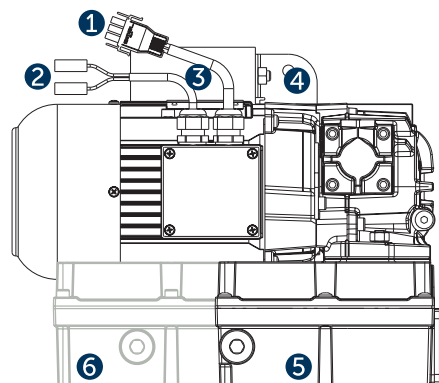
Suction air rate refers to the intake pressure  
 Reference data (atmosphere): 1000 mbar, 20°C  
 Tolerance: ±10%

## + VARIANTS AND ACCESSORIES

### O 5.21 (XL) WITH MATE-N-LOK POWER CONNECTION

- Motors see separate motor specification sheet

- 1 Power connection (Mate-N-Lok)
- 2 Capacitor connection Faston F 6.3
- 3 Capacitor, not mounted
- 4 Capacitor bracket on request
- 5 O 5.21 with 0.3l oil tank
- 6 O 5.21 XL with 0.5l oil tank



### GAS BALLAST VALVE

- Version for small amounts of moisture, vacuum <3 mbar
- Version for higher amounts of moisture, vacuum <20 mbar

### BECKER LUBE<sup>1)</sup>

- **M 32** mineral
- **S 32** synthetic
- **SL 32** food (food packaging)
- **SM 32** food (food processing)
- **M 68** mineral
- **S 68** synthetic
- **SL 68** food (food packaging)
- **SM 68** food (food processing)

<sup>1)</sup> See operating instructions



Freely configurable service openings (illustration 0.5l oil tank)

**MAKE IT BECKER.**

HOMEPAGE  
O SERIES



DOWNLOAD  
MOTOR SPECS.



ONLINE SHOP  
O 5.21

