

DATA SHEET

**VTLF 2.250**

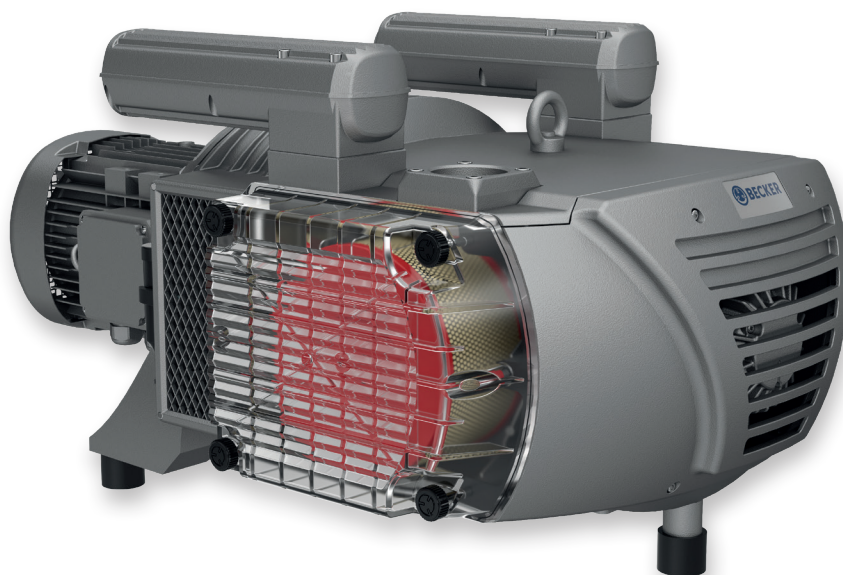
# ROTARY VANE VACUUM PUMPS

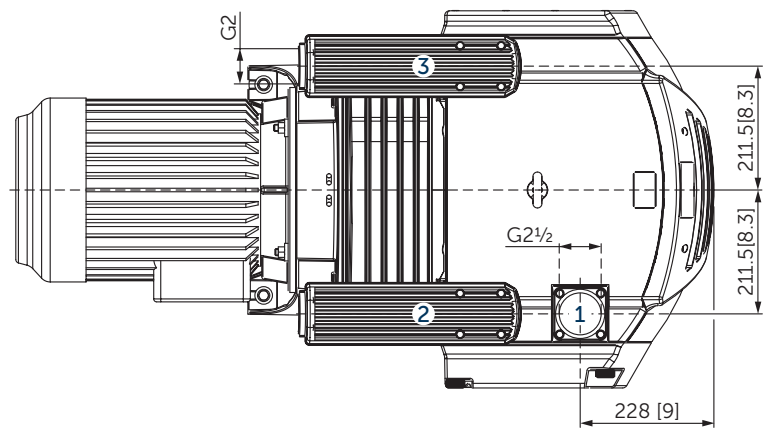
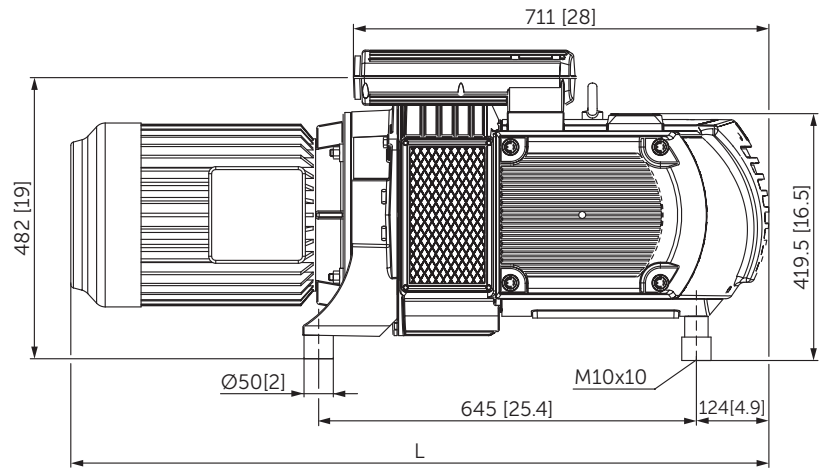
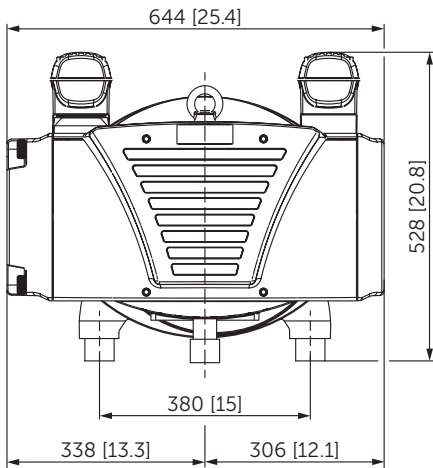
oil-free

air-cooled

---

**MAKE IT BECKER.**





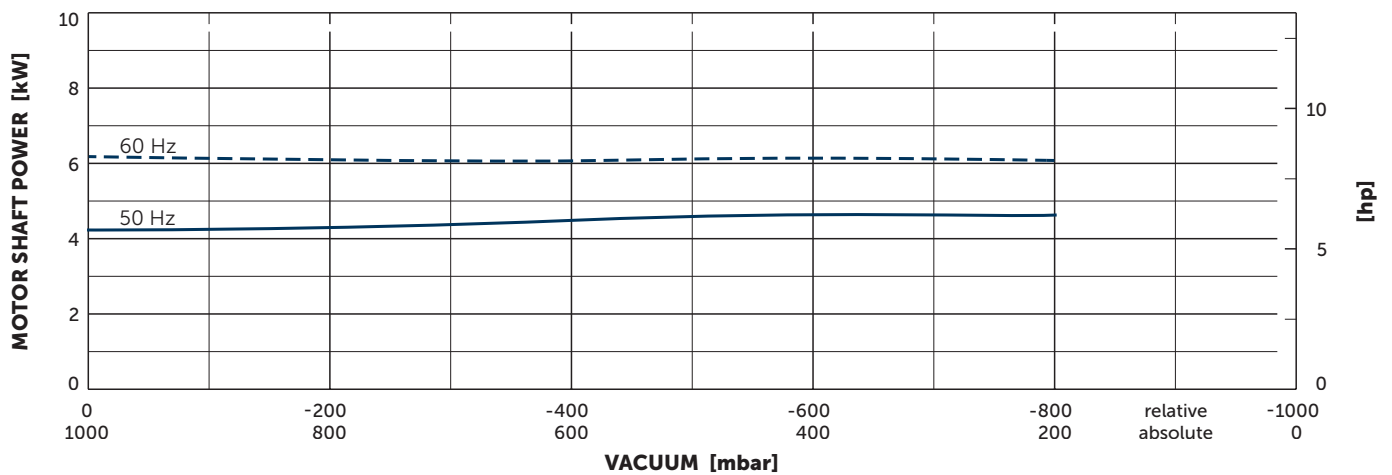
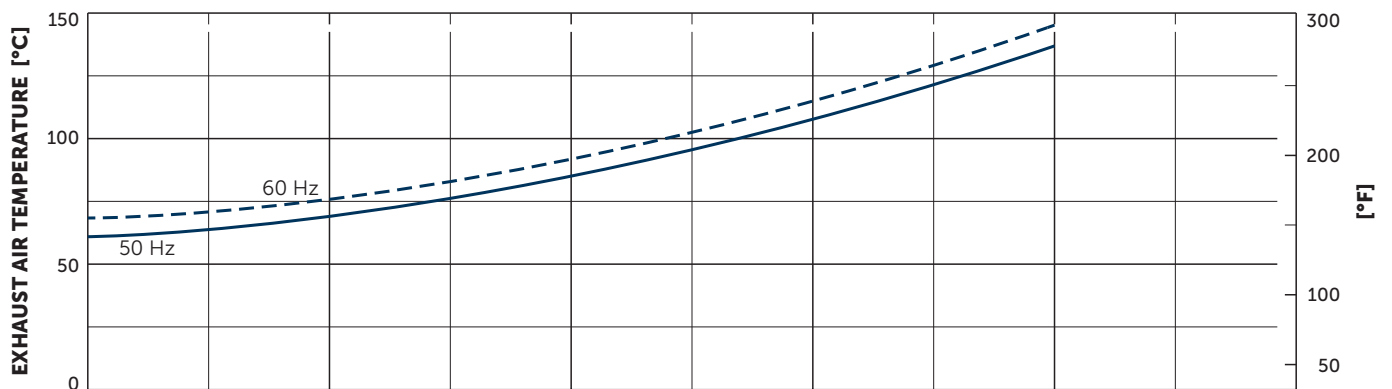
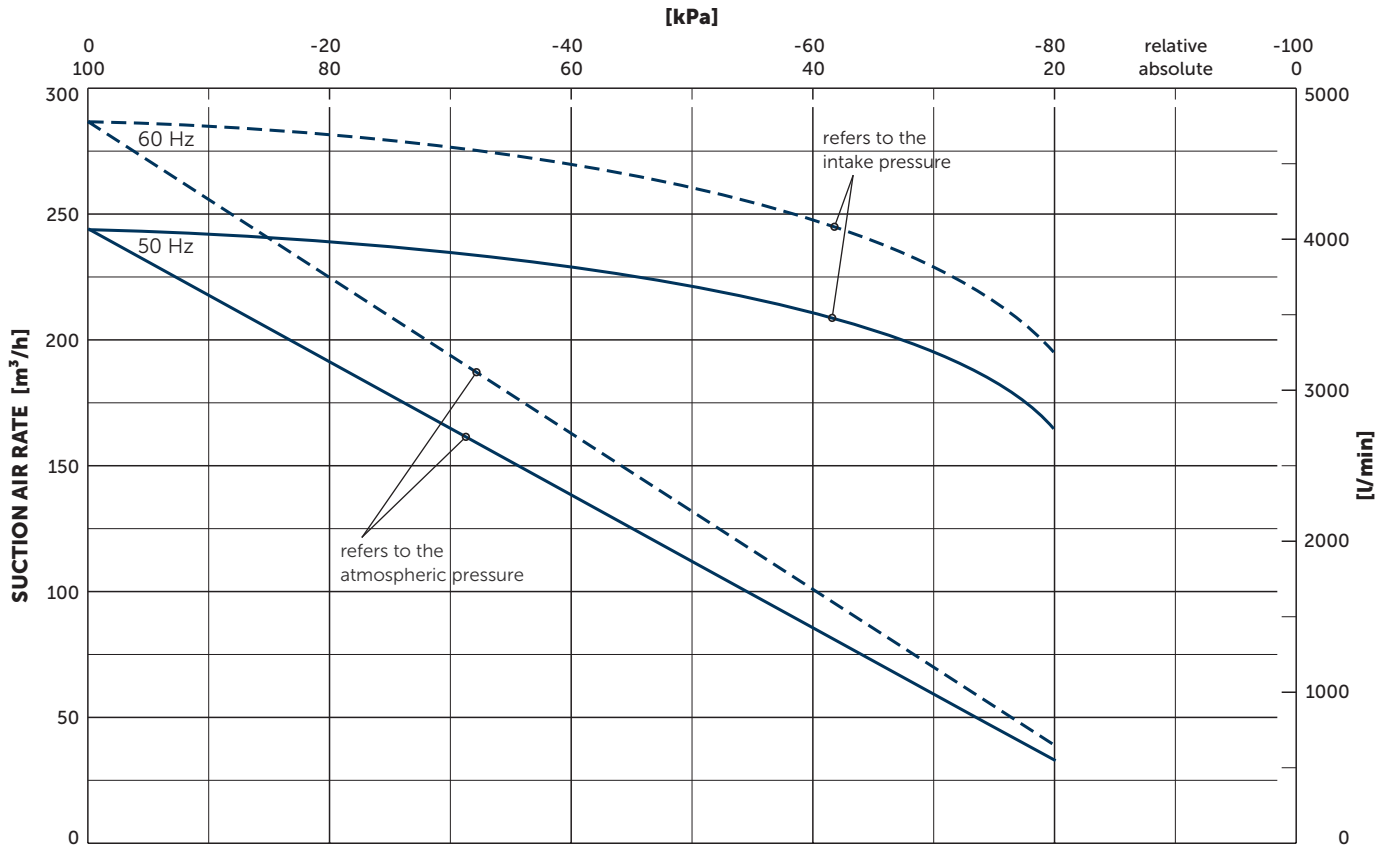
- 1 Vacuum connection (G2<sup>1/2</sup>)
- 2 Vacuum relief valve with silencer
- 3 Blow-off valve with silencer
  - Including integrated suction air filter
  - The motor illustration may vary.
  - Dimensions in mm [inch]

Suction air rate		Vacuum absolute		Emission sound pressure level <sup>1)</sup>		Weight w/o motor
m <sup>3</sup> /h		mbar		dB(A)		kg
50 Hz	60 Hz	50 Hz	60 Hz	50 Hz	60 Hz	
244	286	200	200	77	79	151

<sup>1)</sup> According to DIN EN ISO 3744 (KpA = 3 dB(A)), 1 m [39.4 inch] distance, at medium load, both connection sides piped

3~ Motors												L	
#	50 Hz					60 Hz				Version	Weight kg	mm [inch]	
	kW	V	IE3	min <sup>-1</sup>	A	kW	V	IE3	min <sup>-1</sup>				A
01	5.5	Δ230/Y400	IE3	972	23.4/13.5	6.6	Δ265/Y460	IE3	1170	23.4/13.5	IP55 • ISO F • bimetal	102.0	1181 [46.5]
							Δ230/Y400		1162	24.2/14.0			
02	5.5	Δ400/Y690	IE3	976	13.5/7.8	6.6	Δ460/Y795	IE3	1173	13.6/7.9	IP55 • ISO F • bimetal	107.0	1181 [46.5]
							Δ400/Y690		1160	14.3/8.3			
03						6.6	YY230/Y460	IE3	1175	27.8/13.9	UL(E235514) • CSA CC329B IP55 • ISO F • bimetal	107.0	1181 [46.5]
							YY208		1159	28.1			
04	5.5	Δ200/Y350	IE3	974	26.9/15.5	6.6	Δ220/Y380–400	IE3	1168	26.7/15.4–15.3	IP55 • ISO F • bimetal	107.0	1181 [46.5]
							Δ200/Y350		1162	27.8/16.1			
05						6.6	Δ400/Y690	IE3	1175	15.2/8.8	UL(E235514) • CSA CC329B IP55 • ISO F • bimetal	107.0	1181 [46.5]

• Type plate data on current consumption and rotation speed of the motors may vary. Tolerance -1.5/+2% in each case.



Reference data (atmosphere): 1000 mbar (100 kPa), 20°C (68°F)  
 Tolerance: ±5%

## **+** VARIANTS AND ACCESSORIES

### **VXLF 2.250**

#### **SERIES X: BECKER INNOVATION WITH TOP WARRANTY**

Equipped with specially developed vanes, these oil-free rotary vane pumps distinguish themselves by high abrasion resistance, and with that extremely long service lives. Due to the low wear there is also minimal dust, so the series X pumps are perfectly suited for precision processes under clean room conditions.

This innovation branded by Becker is outstanding not only because of its 100 percent oil-free operation, excellent degree of efficiency and low power consumption.

In the area of sensitive vacuum, series X also guarantees precise low-pulsation air conduction.

Becker guarantees for these pumps a vane life-time of 20,000 operating hours or a maximum of 3 years. The enhanced longevity of X series pumps also extends service life intervals, and can cut out the need for frequent service visits with costly pump failures now no longer an issue.



#### **ADVANTAGES**

- Quick, clean and quiet
- Oil-free
- Wear resistant
- Energy saving
- Long-life reliability

#### **OTHER VARIANTS AND ACCESSORIES**

- **VARIAIR VTLF 2.250/0-400** with frequency inverter<sup>1)</sup>
- Integrated non return valve
- Increased corrosion protection
- External suction filter<sup>1)</sup>
- Sound proof box SH 10<sup>1)</sup>



VARIAIR VTLF 2.250/0-400



Example for an external suction filter



Sound proof box SH 10

<sup>1)</sup> See separate data sheet

- Possible combinations on request



**MAKE IT BECKER.**